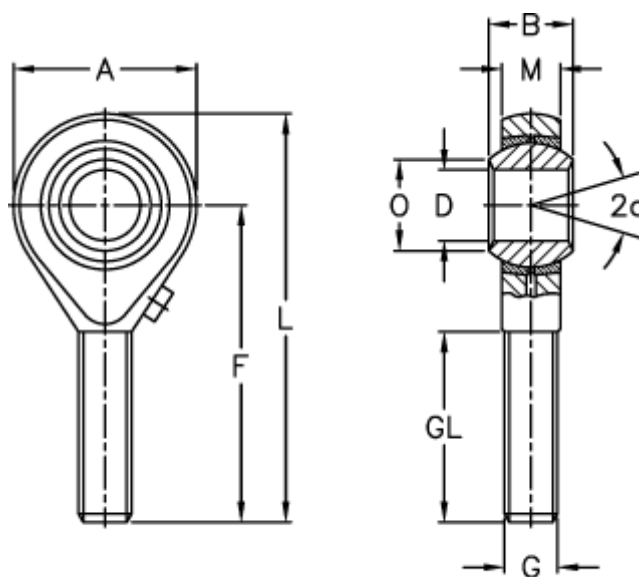


Article number: 03202010125

Description: Fluro Rod End GAL 10 10x1,25
Zinc Plated with left-handed thread

Measures



Str. 5 uden smørenippel

A	= 28	L	= 62
a (degrees)	= 13	M	= 10.5
B	= 14	O	= 12.9
D	= 10	Permissible rpm	= 500
Dynamic load C (kN)	= 7.5	Static load C0 (kN)	= 17.4
F	= 48	Weight (g)	= 56
g	= M10x1,25		
GL	= 29		